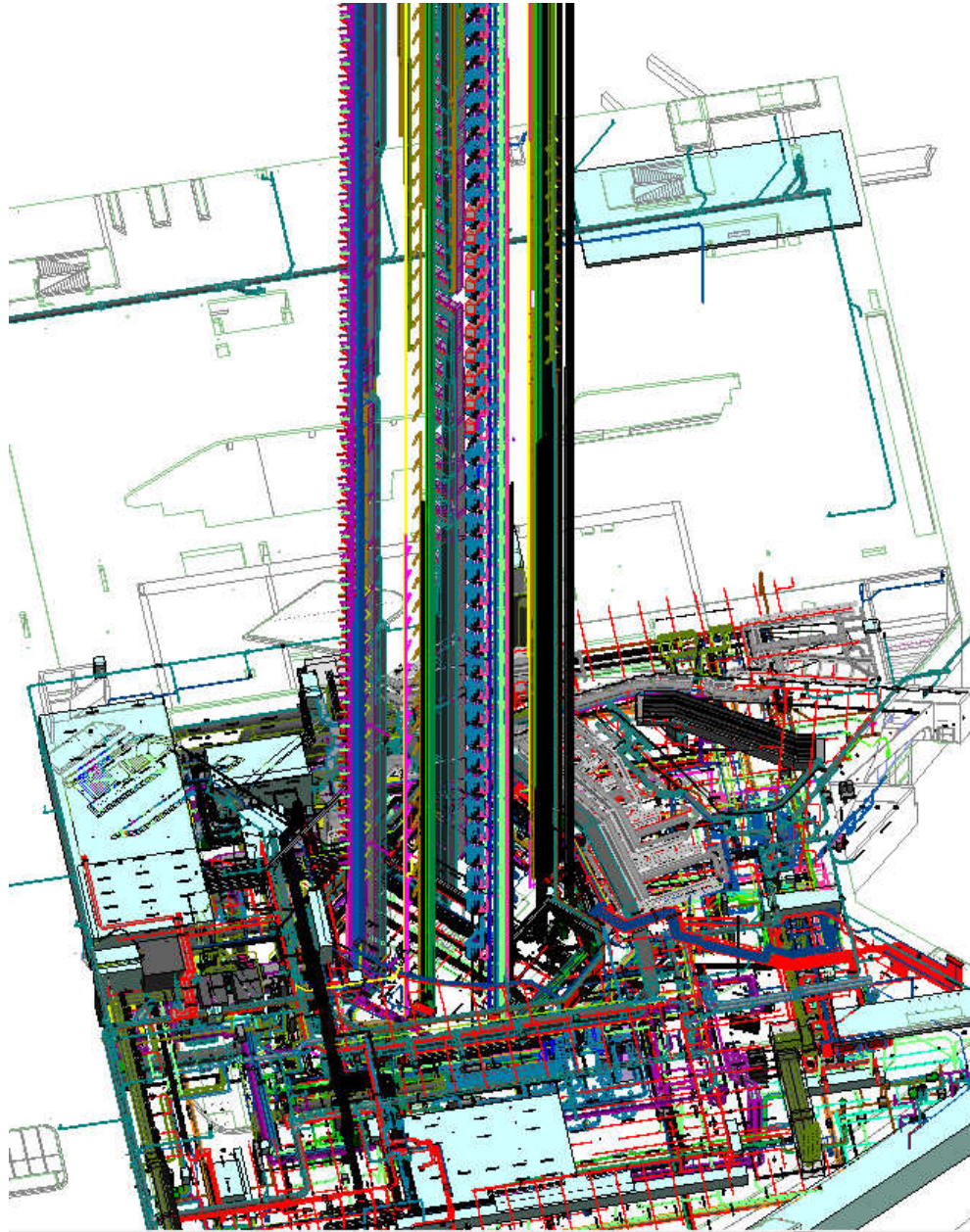


zaffaroni
TECHNOLOGICAL SYSTEMS



BIM, a Building Information Model, is revolutionizing the way of defining and managing projects.

This is not a simply 3D design software, but rather a process that simplifies collaboration among different project teams. With BIM digital tools and high level technical services, you can access complete workflow solutions.

BIM IS MODIFYING ALL BUILDING'S SECTOR

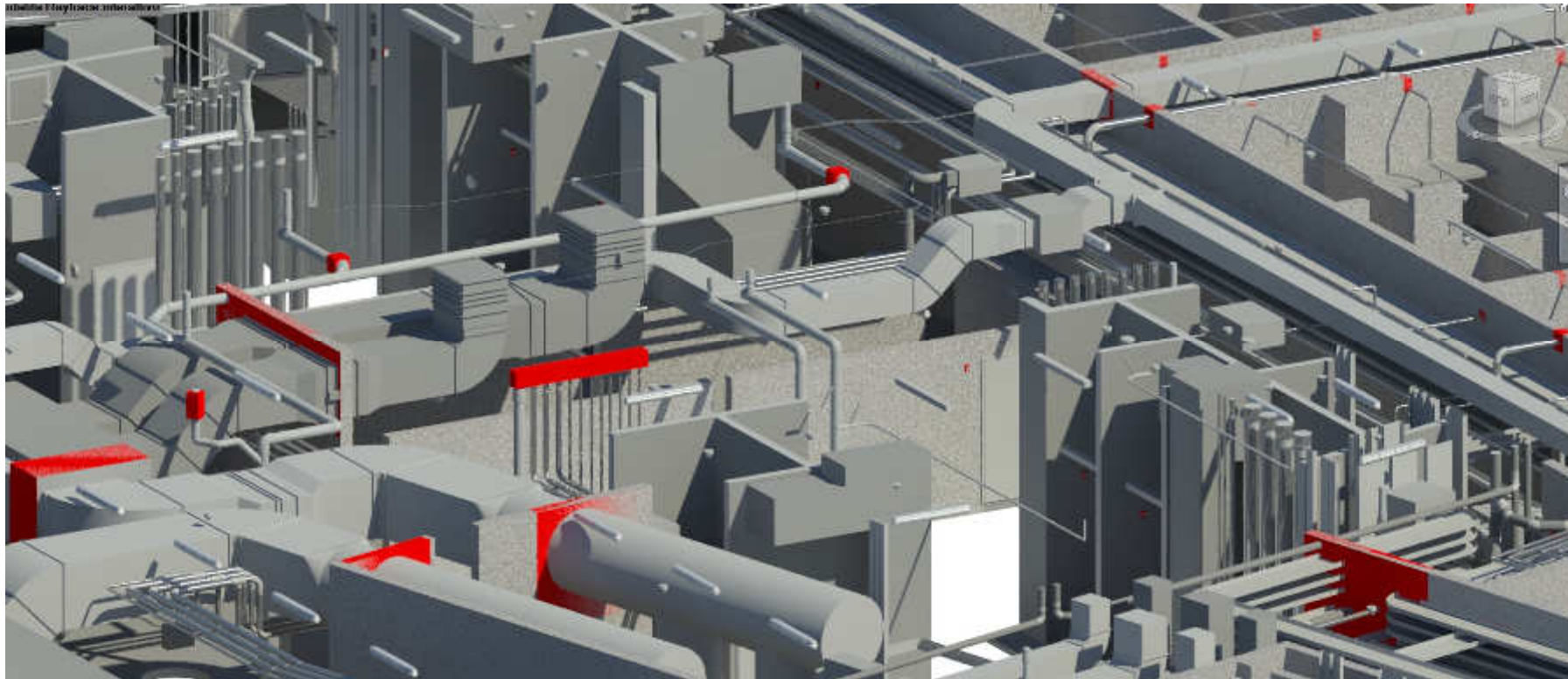
With BIM, together with plant design, is possible to:

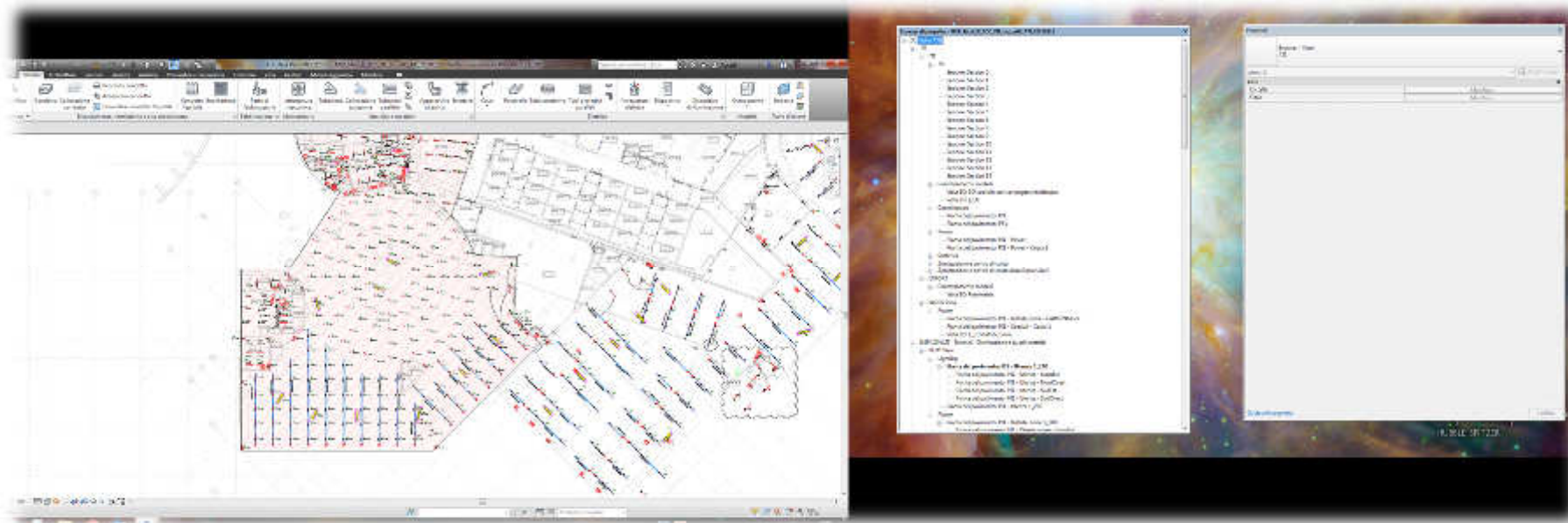
Reduce errors and costs

Find potential 2D and 3D interferences for extremely accurate projects.

Improve collaboration in the cloud
Facilitate teamwork and prevent mistakes by sharing projects in real time.

*General view of electric and mechanical plants of Torre Hadid
City Life, Milan*





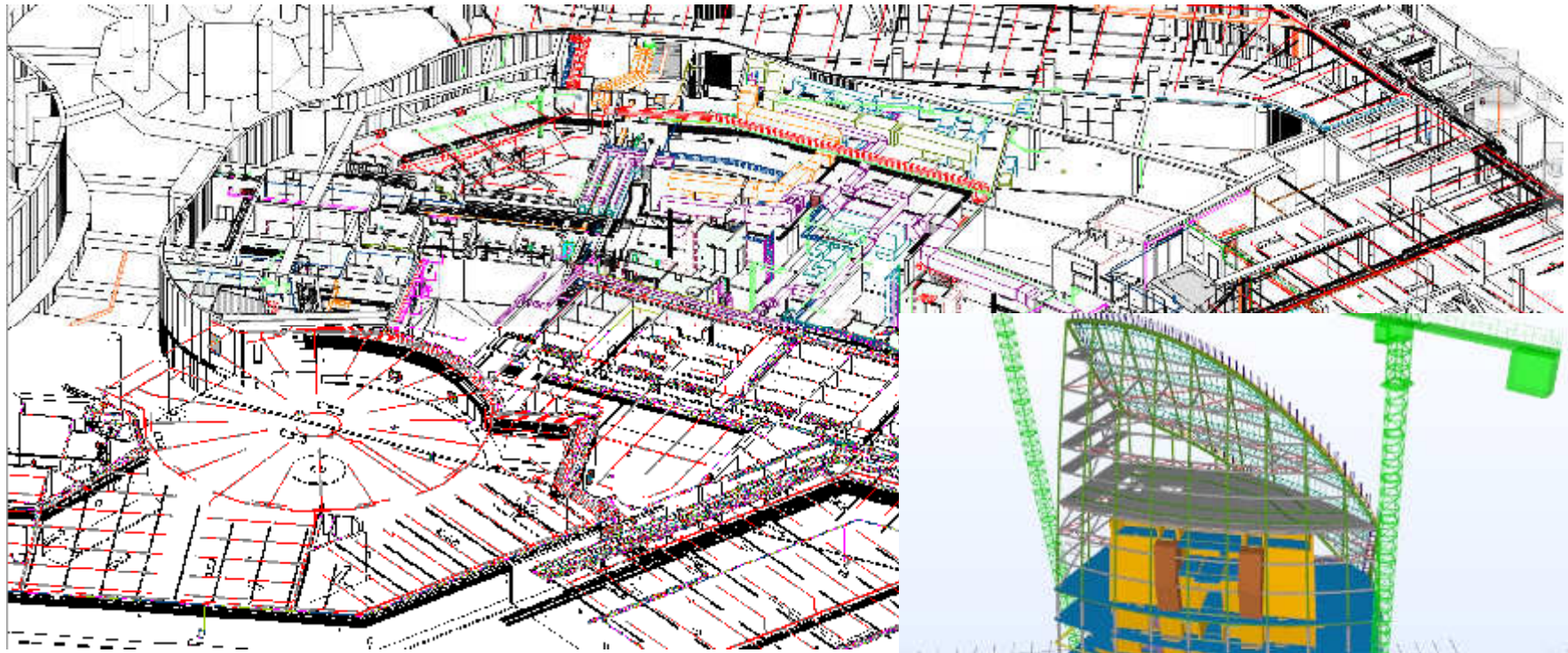
Torre Libeskind, City Life, Milan

BIM is a "Building Information Container" which you can enter in graphic data (such as drawings) and specific technical attributes, for example related to the expected life cycle.

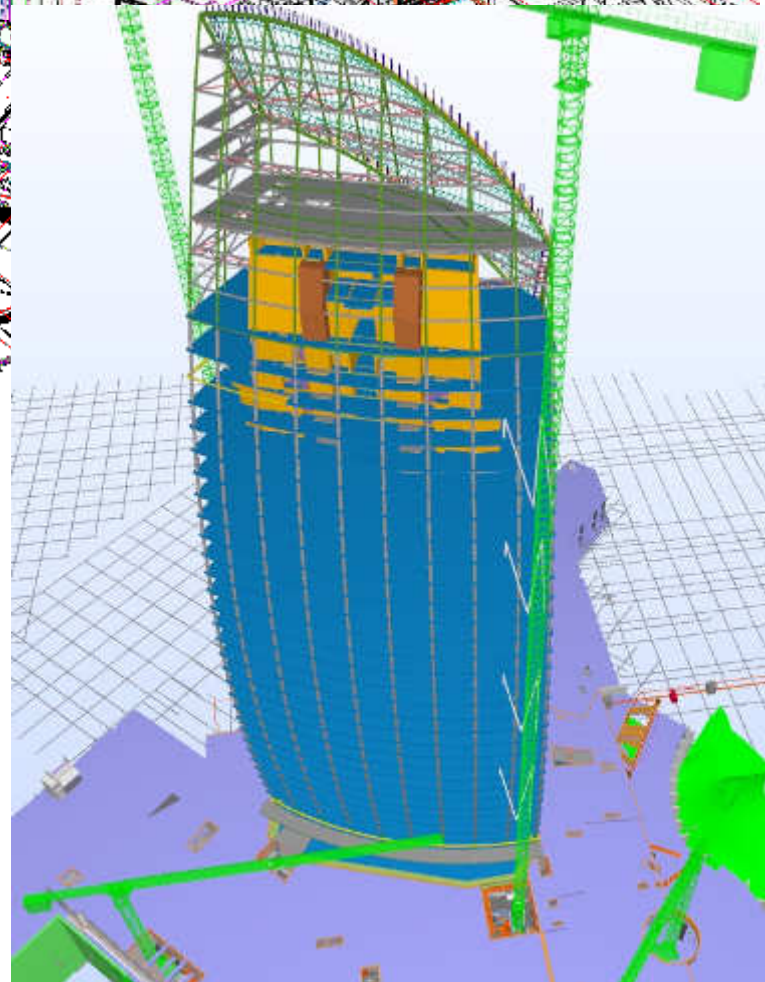
Designing objects such as walkways, pipes, terminals, paintings, or other equipment, additional information such as materials, technical data sheets, electrical absorption, etc. can be associated with the graphic information.

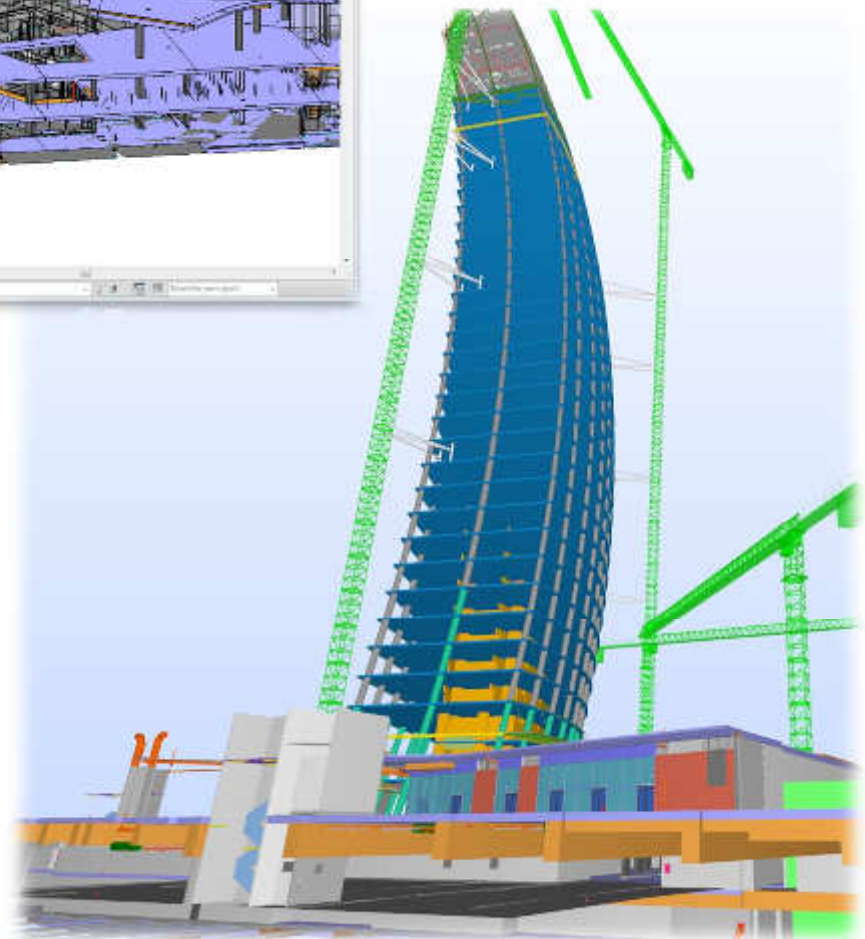
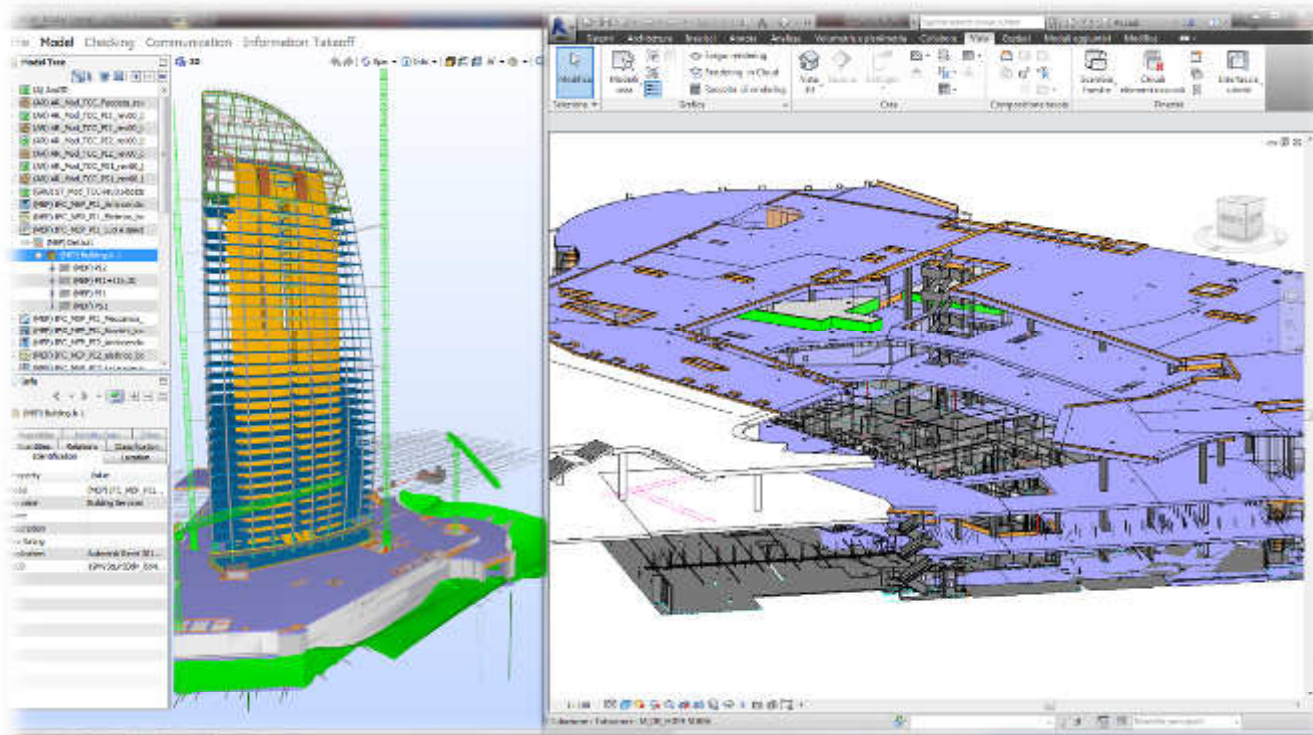
Unlike CAD design, which allows you to design a project through 2D or 3D drawings, MEP design is not limited to visual information or rendering, but it specifies the features and performance of each object present in the project.

BIM, born from desire to reach the collaboration between designers and the processes integration, is a collaborative design method as it allows to integrate the useful information at every stage of design: architectural, structural, plant engineering and management.

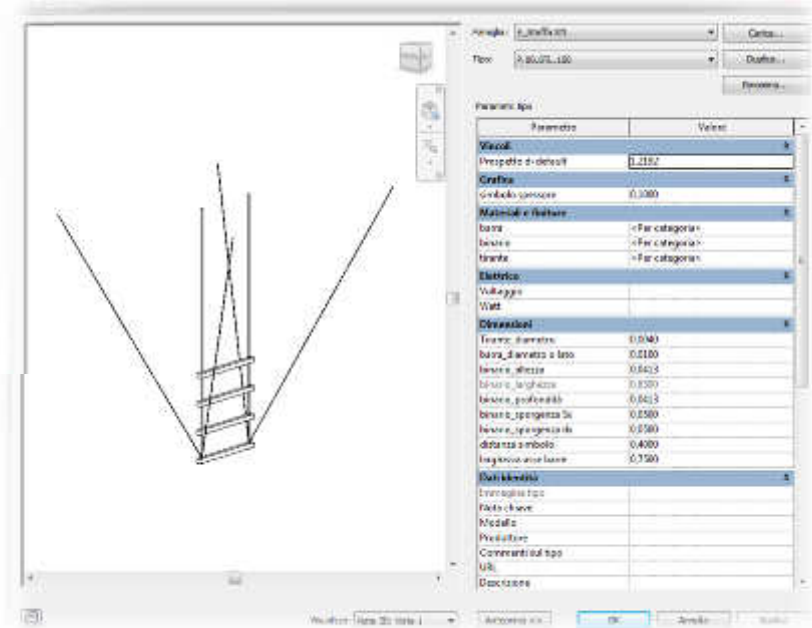
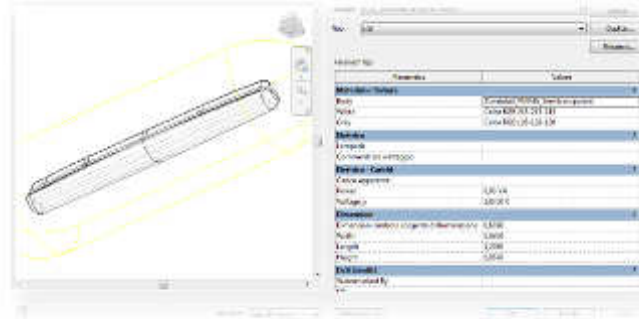


*Global View – plant “piastra” and viability
Coordination model of Torre Libeskind, City Life, Milan*





ELECTRICAL SYSTEMS



Design of electrical systems through BIM model is facilitated by the possibility of simultaneously managing different objects, depending on their planting nature.

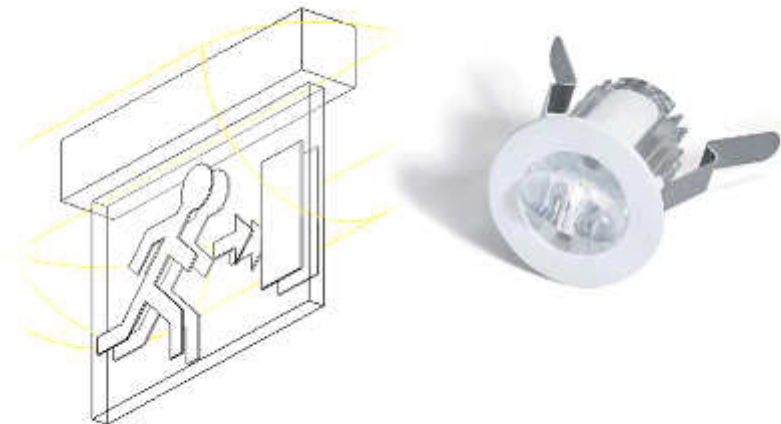
In this regard, electric assemblies, coordinated with mechanical or hydraulic ones, which often clash by channel positions rather than traces under the wall, etc., can find a wide application.

Electrical design, is studied from the beginning, to model:

- electrical appliances
- electrical equipment
- lighting devices
- Data devices, telephone, safety and control circuits, alarm devices, etc.

With the implementation of BIM, it is possible to design electrical systems of all kinds and to provide a specific service for the coordination of these and their distribution lines (pipes, protective pipes, pipes and junctions) to a construction level of detail in order to overcome any conflict with other MEP disciplines with the aim of explicating any incongruity or interference with the site.

Esempi di parametrizzazione degli oggetti impianto elettrico, City Life, Milano



zaffaroni

TECHNOLOGICAL SYSTEMS

head office:

via Milano 17

warehouse:

via Varesina 52,

21040 Jerago con Orago VA – Italy

branch:

Corso Allamano, 141

10098 Rivoli (TO)

Tel. 0331 215090 Fax: 0331 213021

Chemin de Prederes

1276 Gingins (CH),

Tel.+41 (0)22 3690050 Fax: +41 (0)22 3690600

221 Bd Zerktouni, Résidence Fahd – 1er étage,

Casablanca 20000 – Maroc

Tel. +212 5 22 39 68 54 – Fax +212 5 22 39 95 58

info@senergic.net – www.senergic.net