

zaffaroni
TECHNOLOGICAL SYSTEMS

To think, to design, to light

Our dedicated lighting design unit does not simply calculate mere illumination values; they deepen, with passion and dedication, every aspect of lighting installation in order to evaluate the perfect lighting solution for Your space and to create a new way to live the environments, being them private houses or commercial sites.

ProgettoLuce is a highly specialized branch of our company which guarantees unique and precise results founded on illuminating engineering.

We produce 3-Dimensional renders, we supply data sheets and samples of materials; as a result, we lead the clients to touch with their hands what is going to be realized on site.

Progettoluce will be the one and only partner for the design, supply and installation of Your illuminate dreams.



“Software DIALux.
By planners for planners.

Your benefits at a glance:

- Simple, effective and professional light planning
- Latest luminaire data of the world's leading manufacturers
- Latest state of the art software always available free of charge
- Energy evaluation at the drop of a hat
- Coloured light scenes with LED or other colour changing luminaires
- Planing whole buildings including outdoors spaces

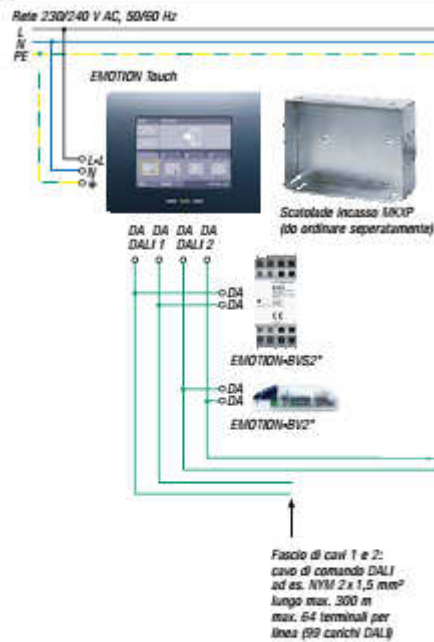
DIALux. The free and complete software developed by us for professional light planning is open to luminaire of all manufacturers. A software by planners for planners. Used by many hundred thousands of light planners and designers worldwide. Create your virtual worlds simply and intuitively with DIALux. Document your results in breath-taking, photorealistic visualizations. DIALux is continuously being developed by a team of 20. Work with DIALux. You and your projects deserve it. DIALux is free of charge and can be downloaded from our website in many languages.



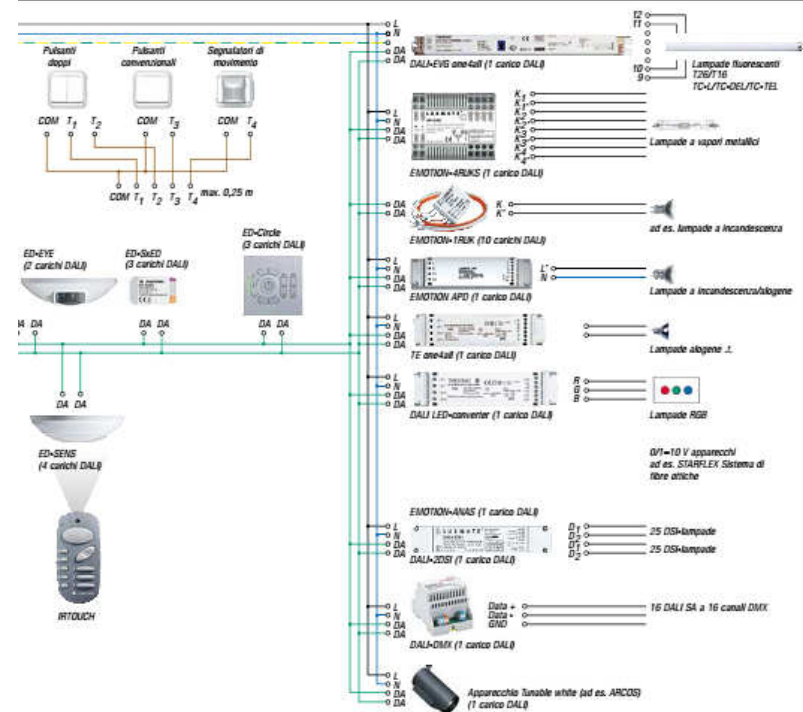
lighting control

It is known that very often a good lighting control can improve the livability of the environments. Progetto Luce offers a large variety of products for lighting control based on Konnex DALI protocols; DALI is the acronym for Digital Adressable Lighting Interface, which is not a bus system for the automation, but it is a protocol for the digital control of light sources. Through the use of sensors (for example motion detectors) and a punctual programmation, We assure the result of a unique living experience for all the environments.

Utilizzo/Alimentatore



Illuminazione generale/Illuminazione di sicurezza





light for industry

light for health and culture



light for art

light for offices and communication



zaffaroni

TECHNOLOGICAL SYSTEMS

head office:

via Milano 17

warehouse:

via Varesina 52,

21040 Jerago con Orago VA – Italy

branch:

Corso Allamano, 141

10098 Rivoli (TO)

Tel. 0331 215090 Fax: 0331 213021

Chemin de Prederes

1276 Gingins (CH),

Tel.+41 (0)22 3690050 Fax: +41 (0)22 3690600

221 Bd Zerktouni, Résidence Fahd – 1er étage,

Casablanca 20000 – Maroc

Tel. +212 5 22 39 68 54 – Fax +212 5 22 39 95 58

info@senergic.net – www.senergic.net